

## **PLine**

**Built in Brass**



DHR NDM6 Locomotive Model (*7/8ths scale*)

**PLEASE READ THIS OWNERS MANUAL CAREFULLY BEFORE OPERATING THE MODEL**

### **Caution!!**

This model is an accurate replica of the original locomotive. It has sharp and moving parts. The locomotive drive gears are brass & stainless steel with sharp edges.

AT ANY TIME, OPERATORS MUST NOT COME IN CONTACT WITH THE MODEL WHILE IT IS POWERED. UNDER NO CIRCUMSTANCES SHALL Model Engineering Company OR ANY OF ITS ASSOCIATES BE HELD RESPONSIBLE FOR ANY INCIDENTAL OR CONSEQUENTIAL DAMAGES ARISING IN REGARD TO ANY PLINE PRODUCT.

### **Items included:**

1. NDM6 Model Locomotive X 1 off

#### **Model Engineering Company**

47, Sankharitola Street, Calcutta-700014, India.

Visit us at: <http://pline.co.in>

Email: [info@pline.co.in](mailto:info@pline.co.in)

## Owner's Manual: DHR NDM6 Locomotive in 7/8ths scale

2. Owner's Manual X 1 off

### **Required:**

1. 12v 2.2Ah rechargeable Battery pack for Locomotive X 1 off
2. RC set and batteries for transmitter
3. Diesel loco Sound board with horn
4. Etch primer
5. Acrylic aerosol spray primer & finish paints

### ***Battery Pack Selection:***

Your NDM6 locomotive & transmitter are not supplied with the Battery Packs due to International Shipping & Security norms. We recommend any deep-cycle Battery pack with an output of 12v rated at 2.2Ah (or higher rating) for the locomotive.

Once the RC & sound units are installed, connect your preferred battery pack to the terminal Connector leads inside the locomotive cab by removing the cab roof. The roof is snap fitted and can be removed by lifting it up straight. BE CAREFUL TO CONNECT THE CORRECT POLARITY OF THE BATTERY TERMINALS TO THE CONNECTOR STRIP. THE WIRES ARE COLOURED RED FOR +VE & BLACK FOR -VE POLARITY. INCORRECT POLARITY CONNECTION CAN DAMAGE THE CONTROL SYSTEM OF YOUR MODEL. The locomotive battery pack can be housed inside the cab.

### ***Suggested wiring diagram:***

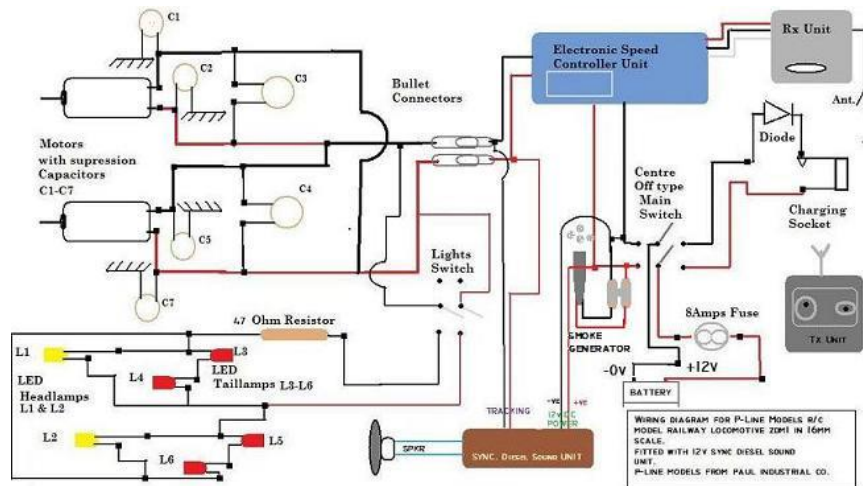
#### **Model Engineering Company**

47, Sankharitola Street, Calcutta-700014, India.

Visit us at: <http://pline.co.in>

Email: [info@pline.co.in](mailto:info@pline.co.in)

## Owner's Manual: DHR NDM6 Locomotive in 7/8ths scale



### Lubricating:

With a bit of care, your PLine NDM6 should give you many years of pleasure and reliable service. Lubrication is of prime importance for a model of this type with moving parts. Always use quality lubricants. This should not be a problem, for there are many modern lubricants available in hobby and sport shops. Light oil such as Labelle #108 or Hoppe's Gun Oil would be good enough for lubricating most of the moving parts. For gears use a suitable gear grease such as Permatex Super Lube or another hobby gear lubricant.

The spur gears driving each axle can be lubricated by applying grease on the gear teeth using a small screw driver.

To access the many moving parts of this model it is best to carefully place it on its side on a soft towel or foam sheet. A drop of light oil on every moving part is necessary, and there aren't many on this locomotive. Use oil that is a bit heavier to lubricate the axle bushings and pivot points of the Power Bogies. Each Model is provided with Oiler holes on the Axle boxes of each wheel. There are 4 Oiler holes on each Locomotive with their openings facing downwards towards the rail top. Use a drop of Lubricating Oil to lubricate each Axle box. Be sure to lubricate all the wheel bearings, gear bearings etc. that you can see. Do not over lubricate, for excess oil only picks up unwanted dirt. Be careful to keep lubrication off the painted surfaces as this causes shiny areas.

The main worm gear box is lubricated in the factory and will not need any attention when you first run your model. However, in time, you should make sure that the gears are will lubricated with suitable gear grease.

Thorough Lubrication of the locomotive should be done every 5 hours of operation.

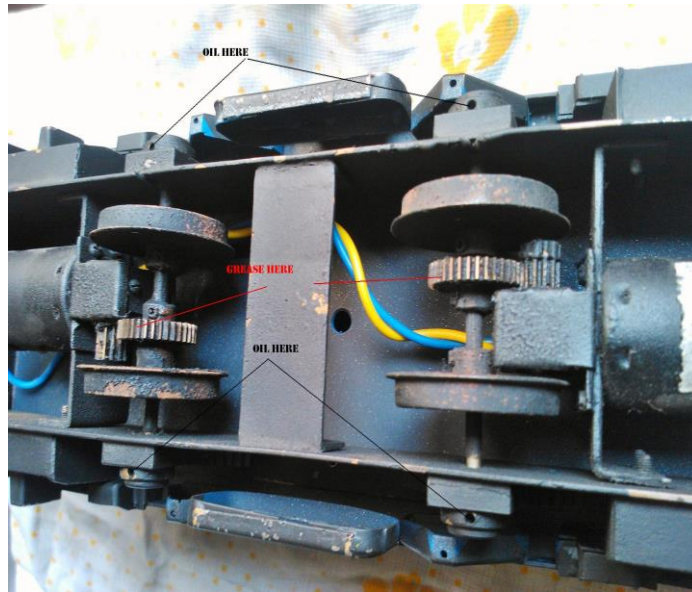
### Model Engineering Company

47, Sankharitola Street, Calcutta-700014, India.

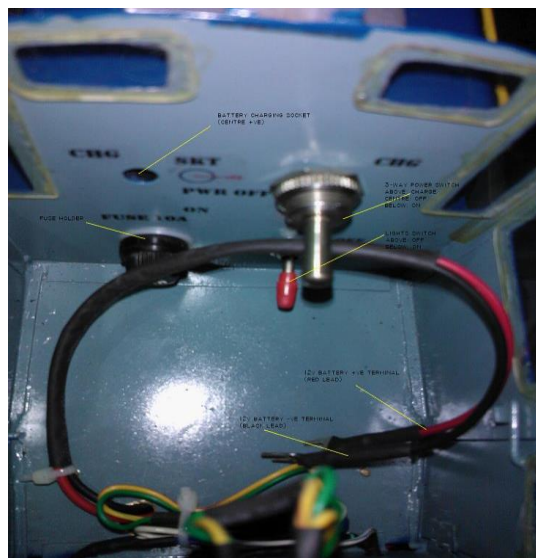
Visit us at: <http://pline.co.in>

Email: [info@pline.co.in](mailto:info@pline.co.in)

## Owner's Manual: DHR NDM6 Locomotive in 7/8ths scale



### Operating the model:



Cab controls (above)

With batteries connected to the locomotive and the transmitter, switch the transmitter 'ON'. The model can now be powered 'ON' by flipping the main power 3-way switch in the cab downwards. Always SWITCH 'ON' the Tx first before POWERING ON the model.

By moving the throttle control on the Tx gradually, the locomotive will move forward, while gaining speed, and moving the same Tx joystick in opposite direction, would reverse the model and increase

#### Model Engineering Company

47, Sankharitola Street, Calcutta-700014, India.

Visit us at: <http://pline.co.in>

Email: [info@pline.co.in](mailto:info@pline.co.in)

## Owner's Manual: DHR NDM6 Locomotive in 7/8ths scale

speed. The model ideally should come to a stop when the same joystick is in the neutral or centre position.

CAUTION: DO NOT RUN THE MOTORS ON FULL THROTTLE IN THE FIRST 60 MINUTES OF RUNNING. Run the model at half throttle in any one direction for a few minutes, then stop, and then run it again at half throttle for a few minutes more. Repeat this procedure for about half an hour until the model runs smoothly in both directions. Once you have run your Model on half throttle in both directions on a test track for at least about an hour, your model should be ready to run at Full throttle on the Outdoor layout.

### ***Maintenance:***

Clean the body of the Model with a clean soft lint free cotton cloth. To remove stubborn grease stains from the painted surface use a detergent solution with a lint free cloth. With a little care your PLine NDM6 Locomotive will give you years of trouble free running.

## IMPORTANT!

Some parts may have loosened during shipment. Inspect your model prior to any operation. Please contact PLine at [info@pline.co.in](mailto:info@pline.co.in) for more assistance.

THANK YOU!

**Model Engineering Company**

47, Sankharitola Street, Calcutta-700014, India.

Visit us at: <http://pline.co.in>

Email: [info@pline.co.in](mailto:info@pline.co.in)